



June 8, 2020

The Good News from Trinity PC

Onsite Trinity Worship Services

Trinity is now worshipping on Sundays in the sanctuary.

Session understands that not everyone will be comfortable returning to the building for worship. Therefore, we continue to offer recordings of the worship services.

We also have the capability to provide a video recording of the worship service, that will be live streamed at 10:15 AM or played later at your convenience. (see page 3 for details)



Office Open

9:00-Noon Monday-Thursday

**Prayer Requests can be emailed to:
office@trinitypresbyfairfield.org**



Trinity

Presbyterian Church
Rev. Tom Dunlap Pastor

6081 Ross Road
Corner of Ross and Mack Roads
Fairfield, Ohio 45014

Phone: 513-860-4114
www.trinitypresbyfairfield.org E-mail:
office @trinitypresbyfairfield.org

Prepare for Worship 2nd Sunday after Pentecost



Psalm 116:1-2, 12-19

I love the LORD, because he has heard
my voice and my supplications.
Because he inclined his ear to me,
therefore I will call on him as long as I live.
What shall I return to the LORD
for all his bounty to me?
I will lift up the cup of salvation
and call on the name of the LORD,
I will pay my vows to the LORD
in the presence of all his people.
Precious in the sight of the LORD
is the death of his faithful ones.
O LORD, I am your servant;
I am your servant, the child of your serving girl.
You have loosed my bonds.
I will offer to you a thanksgiving sacrifice
and call on the name of the LORD.
I will pay my vows to the LORD
in the presence of all his people,
in the courts of the house of the LORD,
in your midst, O Jerusalem.
Praise the LORD!

Reflection

How is God's presence experienced in a Christian's life?

Morning Prayer

God of wisdom, as I go forth this day, show me how to testify to your grace and truth. Give me the chance to speak and the words to say so that I may glorify your name; through Jesus Christ the Lord. Amen.

I will lift up the
CUP of **SALVATION**
and call on the
NAME of the **LORD**.

Psalm 116:13

What Do I Have?

What do I have, Lord, that you would need me as a servant?

Eyes, he said,
to see the beauty in all that I've made —
and my children as they travel life's highway.

Hands, he said,
to reach out and touch hurting souls,
to give a hug or encouraging pat on the back.

Feet, he said,
to lead my children through this world of strife
and to help them run from sin and follow me.

Mouth, he said,
to lift up your voice and sing praises to me
so others may hear the joy in your heart.

Ears, he said,
to listen to my still, small voice of love
and to hear my children when they cry for help.

Heart, he said,
so you may know the full love of my Spirit
and love my children as I have loved you.

—Thomas Butler

Sermons Online and on YouTube

For those that do not attend in person, Trinity will be offering on-line services live streaming at 10:15 on YouTube. To watch the video live, click on the link below which will direct you to the Trinity YouTube channel, and then click on the video in the displayed list with the **LIVE** box illuminated. We strongly encourage you to click the "subscribe" link on that page.

<https://www.youtube.com/channel/UCn4Bfx9UtjiaWsrXObnly6g>

On Sunday afternoon, the recorded live service will also be available via link through the Trinity website at the link below:

<https://www.trinitypresbyfairfield.org/sermons/>

Sandwiches for the Homeless

We will once again be **making sandwiches this Thursday, June 11**. Trinity signed up to make 300 sandwiches. The mission committee will provide the packages of mayo/mustard to add to all the sandwiches donated or prepared at Trinity.

Please note the instructions for making the sandwiches:

- *place sandwiches in zipper sandwich baggies and label with type of sandwich.*
- *Meat Sandwiches: We usually only put bread, meat and packaged mayo/mustard in each baggie. If you can provide cheese and/or lettuce on the sandwich that is a bonus, but we don't put on anything that will make the bread soggy. Any type of bread or meat is accepted, but our guests tend to prefer white bread over wheat and turkey, pepperoni, and bologna over other meats like ham or roast beef.*
- *PB&J Sandwiches: No rules really except making sure not to overload the bread with jam/jelly so the bread doesn't get too soggy.*

We appreciate your help in reaching out to meet the growing need of the homeless at the food banks.

Bulletins on Thursday

On Thursdays, you will receive a bulletin via email for the Sunday service. Davis will be playing the hymns in the video service on the web page. Lyrics will be included in your bulletin. Please check your emails on Thursday and be prepared to sing along on Sunday. If you are planning on attending

Preparing for Return to Onsite Worship

If anyone in the congregation needs a mask for when you return to worship, please email the office at: office@trinitypresbyfairfield.org or call 513-860-4114. We have volunteers who are willing to make a mask for you.

From the Treasurer:

Please continue to mail in your pledges even though we are not physically attending services. The general costs to operate the church still continue. Your donations are being processed and deposited each week. Thank you for keeping your pledges up to date.

Missions at Work

- ♦ Sewing dresses while at home for Mission Project in Appalachia.
- ♦ Knitters /Crocheters: Mercy and our church are in need of prayer shawls and baby blankets.
- ♦ Collecting plastic lids, soda pull tabs, and cancelled stamps

On Line Donations

Another new aspect of the updated website design is the Online Giving Feature. As Trinity continues making strides into an increasingly technology-centric world, we have added this feature to our website to allow our congregation to make giving contributions by credit card online.

To reach the new "Giving" page, follow the direct link at <https://www.trinitypresbyfairfield.org/giving>, or use the menu item "Giving" on the website home page. It's very easy to use: Just type in your name, address, email address, and the amount you'd like to give on the web-page. Select how you would like to direct the funds from the menu options (General Offering, Property Fund, Deacon Fund, Mission Fund, Women's Fund, or Special Offering), indicate whether this is a monthly or one-time giving, enter your credit card information, and click the "Submit" button. That's it!

The funds will appear in 2-3 business days in the church bank account, and you will see a "Trinity Church" charge on your credit card statement. Trinity does not store your credit card information, but we would always advise closing your website browser after entering financial account information. Keep in mind that Trinity will continue to receive in-person or mail offerings as always. This is just another way that the Trinity family can assist the many ministries we support, without ever leaving your home. For full disclosure, as with any credit card transaction, there is a 2.9% fee that is deducted from the total given to cover credit card company costs.

Sample page:

Giving

Giving is an important aspect of the Christian life. After all, Luke records that Jesus himself said, "It is more blessed to give than to receive" (Acts 20:35). At Trinity, we want to encourage all members to pray about giving and give as God leads them.

At Trinity, we'll continue to take an offering during the service for people who prefer to give by cash or check in person. For members who'd rather transfer money electronically, giving through the church website is now available as an alternative. There are options available to pay one-time or monthly. If you have questions, contact the church for help with giving through the site.

Name *	<input type="text"/>
Address *	<input type="text"/>
Street Address	<input type="text"/>
City	Ohio <input type="text"/>
State	<input type="text"/>
ZIP Code	<input type="text"/>
Email *	<input type="text"/>
Amount *	<input type="text"/>
Apply To *	General Offering <input type="text"/>
One Time or Monthly?	One Time <input type="text"/>
Credit Card	<input type="text"/>
Card Details	<input type="text"/>
Cardholder Name	<input type="text"/>
<input type="submit" value="Submit"/>	

Onsite Worship Protocols

Trinity has begun Onsite Worship. Below are the preparations and changes to the worship service that have been made:

Preparations for the Trinity building include:

- Thoroughly cleaning on a regular basis, with frequently touched surfaces being sanitized.
- Church front entry doors, as well as the middle and side entry doors to the sanctuary, are propped open and will remain open for the entire worship service. (minimizes contact with the door handles and increases ventilation within the church building.
- Bottles of liquid hand sanitizer will be available for use in the narthex, and you are encouraged as well to bring your own personal hand sanitizer. The water fountains outside the restrooms will be unplugged and covered on Sunday morning. Please bring your own personal water containers or bottles. No food or beverages will be offered. The sacristy room will be closed.
- When utilizing the restroom on Sunday morning, note whether another person is already using the room, and wait outside until that person exits the restroom before entering. Wash your hands thoroughly with soap and water prior to exiting the restroom.
- While inside the church building, **we are strongly encouraging that each person wear a face covering or mask.** A limited number of surgical masks will be available if you forget your own personal face covering.
- If on Sunday morning you are experiencing a fever (in excess of 100.4° F), coughing, shortness of breath or other symptoms potentially indicating COVID-19 infection, please refrain from attending worship on that morning and seek medical assistance.

The worship service itself will, not surprisingly, be a little different than what we are accustomed to. Some of the worship service modifications will be:

- We anticipate that attendance at the initial services will be quite modest, so the ushers should easily be able to assist individuals and family groups to find seating in the pews with appropriate social distancing.
- No printed bulletins will be distributed by the ushers. Everyone will receive an electronic version of each week's bulletin by email, and you are encouraged to print out the bulletin at home and bring it with you on Sunday morning. A limited number of printed bulletins will be available in the narthex. The bulletin will include the hymn lyrics.
- Hymnbooks, Bibles, pencils and attendance pads will be removed. Prayer request forms will be displayed on a table in the narthex, that can be filled out prior to the service, which can then be deposited in offering baskets located at the sanctuary entry doors.
- There will be no choir performances, and congregational singing of the hymns will be discouraged. Singing of the hymns in our minds, or possibly light humming, will be our means of expressing our musical worship.
- There will be no children's sermon or children's Sunday school classes, so children will remain with their families during worship. **No nursery attendants will be provided**, so use of the nursery room will be limited to parents and their children, if necessary.
- There will be no collection of offering during the service. Offerings will be deposited in the offering baskets located at the sanctuary entry doors when departing the sanctuary at the conclusion of the service.
- On Communion Sundays (first Sunday of the month) servers will not be distributing the communion elements. Trinity has purchased a supply of prepackaged communion "sets", each with a wafer and sealed juice cup, which will be placed on a table at the front of the sanctuary, to be picked up by individual worshippers at the appointed time during the communion service.
- Following Rev. Dunlap's benediction, he, or the preacher of the day, will immediately proceed outside the church building, to greet and chat with the worshippers in the safer, fresher outdoor environ (no rain please!). All of the attendees will be encouraged to proceed to the outside as quickly as possible. It's outside, in the fresh air, that we can really practice being the Trinity community of faith - socially distanced hugs, catching up on all our quarantine stories, etc.!

Trust in Christ

Scripture: Psalm 66:8–20

Tested

*For you, O God, have tested us;
you have tried us as silver is tried.*

Psalm 66:10

M. Scott Peck began his best-selling book, *The Road Less Traveled*, with these words: “Life is difficult. This is the great truth, one of the greatest truths. It is a great truth because once we truly see this truth, we transcend it.”* The psalmist says much the same thing, though it is in the context of his abiding trust in God. He acknowledges the difficulties that every life encounters. To be “tested” is to be tried “like silver.”

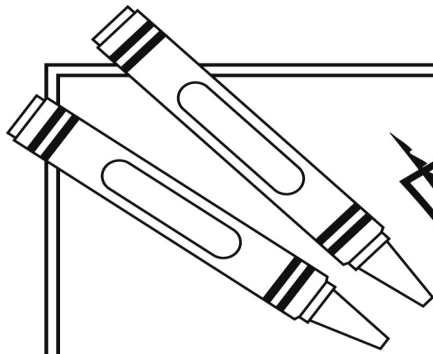
To accept that life is not easy for anyone, never free of “tests,” is the first step in living through inevitable life challenges. The next step, which the psalmist describes later, is to trust that God will be with us and strengthen us through life’s difficulties. God will bring “us out to a spacious place” (v. 12) where our trials are behind us.

Loving God, we know that life can be difficult. Be with us and strengthen us so that we may come once again to “a spacious place.” Amen.

Michael L. Lindvall, Fort Wayne, Indiana

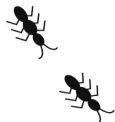
*M. Scott Peck, *The Road Less Traveled* (New York: Simon and Schuster, 1979), 1.



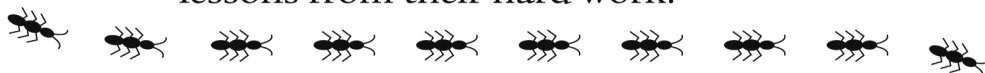


PUZZLE

The ants go marching...



God created amazing insects and says we can learn lessons from their hard work.



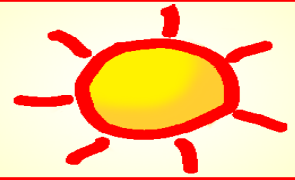
Directions: Use the word bank below to fill in the tablecloth grid for ant-based wisdom from Proverbs 30:25, NIV.

- | | | | | | |
|---------|--------------|------------|----------|-----------|---------|
| 4. of | 6. strength | 15. summer | 12. food | 9. store | 2. are |
| 8. they | 3. creatures | 5. little | 7. yet | 10. up | 14. the |
| 1. Ants | 16. Proverbs | 17. 30:25 | 13. in | 11. their | |

	1		2		3	
4		5		6		7
	8		9		10	
11		12		13		14
	15		16		17	

Answer: "Ants are creatures of little strength, yet they store up their food in the summer." Proverbs 30:25, NIV

Children's Worship Bulletin™

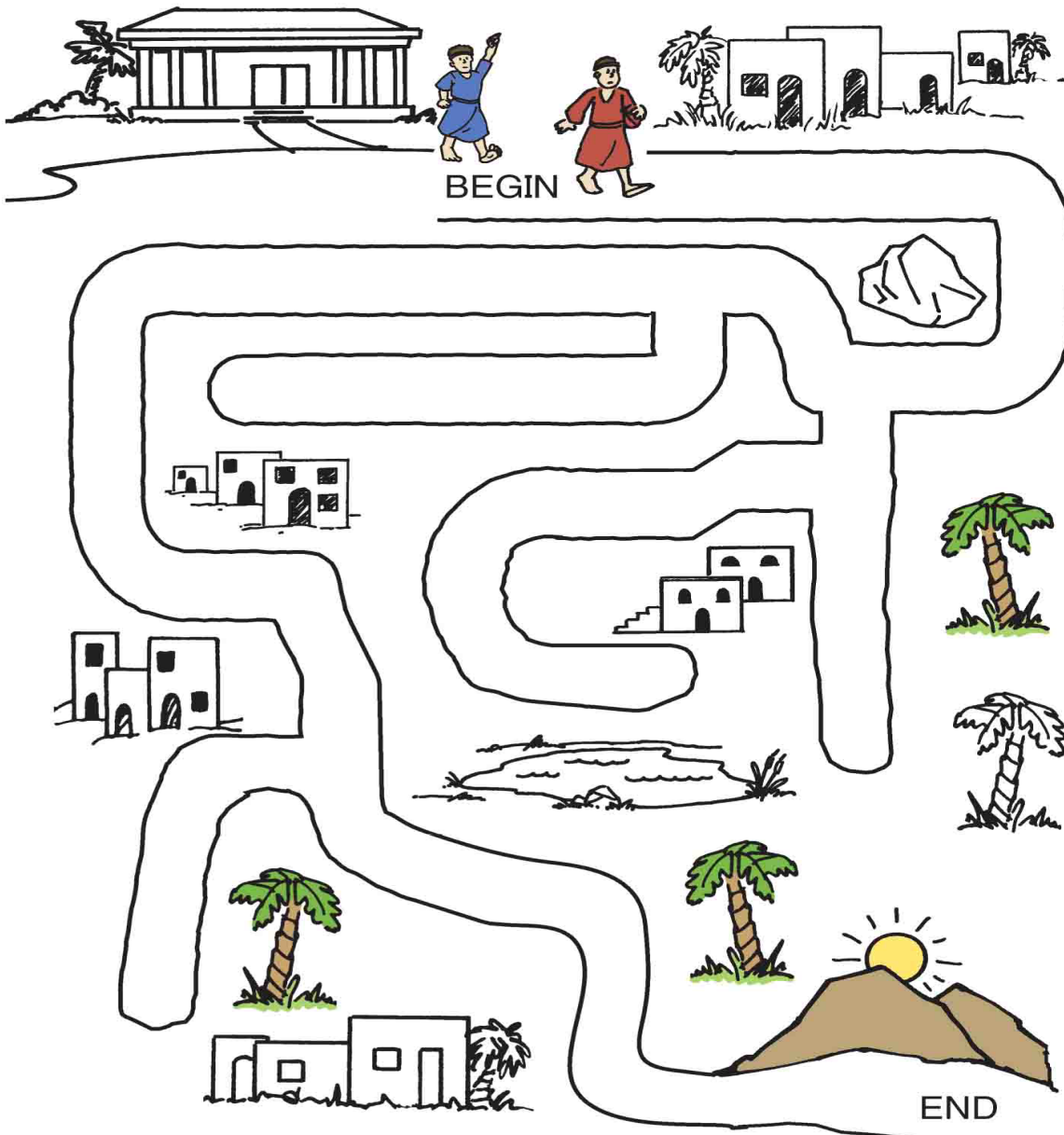


Ages 3+

March 24, 2019 • 1 Samuel 20:1-42

Jonathan said to David, "Go in peace, for we are friends in the name of the Lord."

Help David flee.



• Children's Worship Bulletin™ •

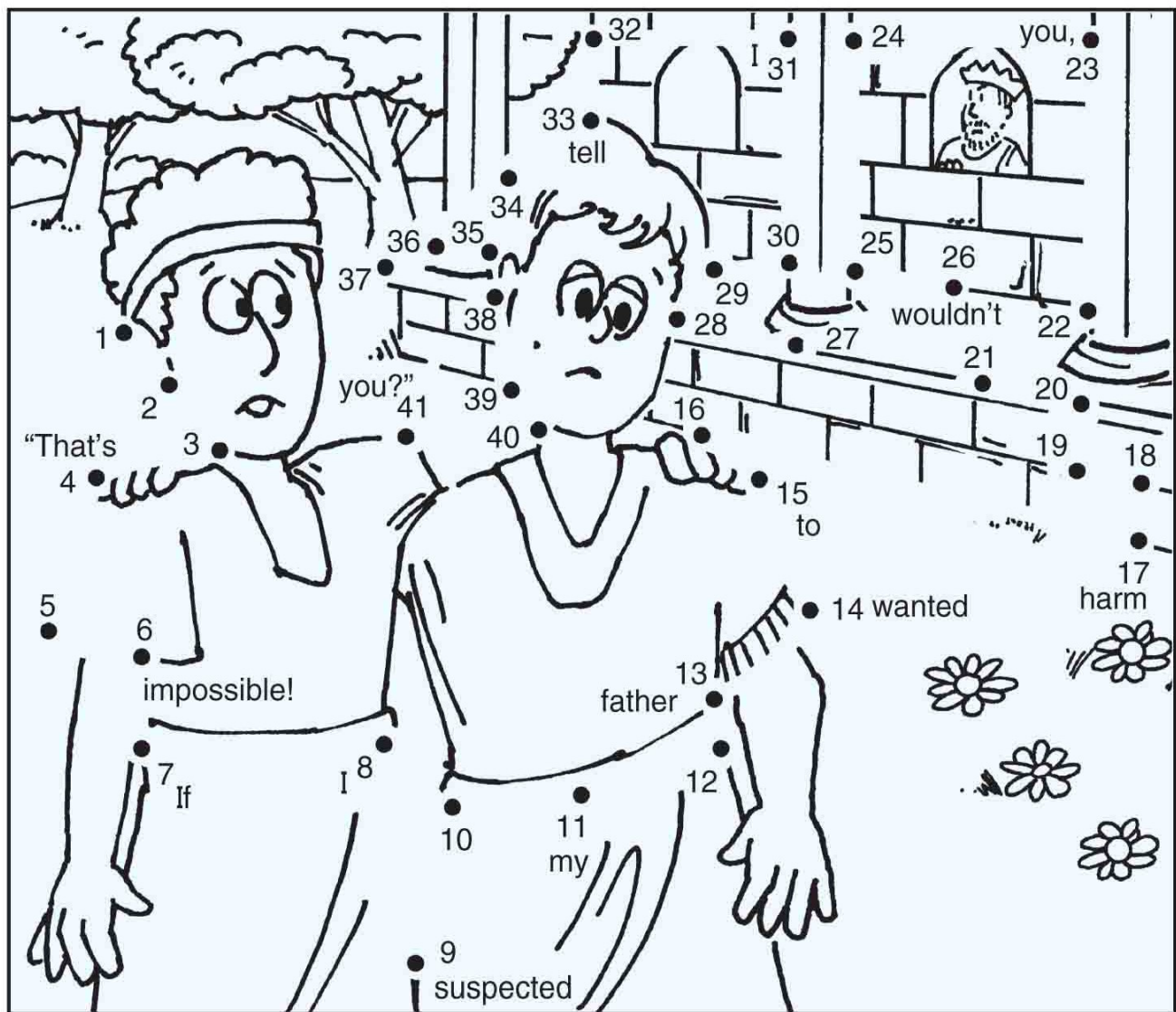
Ages 7+

March 24, 2019 • 1 Samuel

The Friendship of David and Jonathan

David was best friends with Jonathan, the son of King Saul. David knew that King Saul wanted to kill him, but Jonathan couldn't believe that. What did Jonathan say to David?

Connect the dots and read Jonathan's response along the way.



THE GOOD NEWS

As of June 7

Keep in your Prayers

Steve, Kathy Kessler's son	Thanksgiving successful surgery/hip replacement
Family of Nancy Chamberlain, Schuler's request	Bereavement/loss of Nancy
Family of Chet Hard, Schuler request	Bereavement/loss of Chet
Madison, Cindie Postell's granddaughter	Healing/bone infection/in Children's Hospital
Mike, Marta Mojzer's brother	Healing/advanced liver failure and other concerns
All families in distress/difficulties with COVID	God's support/strength, guidance
*Laverne Mitchell, Connie Williams req.	Healing/diagnosed advanced cancer
*Chris Clark, Marta Mojzer's cousin	Healing/cancer has returned
Gina Anaple	Healing/recovering surgery
Fran Thomas	Healing/pain relief
Natasha, B. Pratt request	Healing/recovery surgery on legs
Jean Parsley	Continued healing
Pam Haring	Continued healing/guidance with treatment
George Liles	Continued healing/home recovering
Dee Burkhardt	Continued healing
Diane Niehaus, B. Luebbe request	Continued healing/several health concerns
Gerald Reese, M. Reese's father	Continued healing/swallowing problems
Margie, Fran Thomas' sister	God's peace and comfort
All peoples in the Middle East	Peace and reconciliation
All Elected Government leaders	Wisdom/support/enlightenment
Support for all our military	Strength/discernment/God's protection
For all missionaries (Especially for S. and B.)	Protection/blessings/fruitful mission work

Names that have been on the Prayer List for more than 4 weeks are marked with an asterisk (). If you would like them to remain on the list, please contact the office by Tuesday.*

Financial Information

Donations Received as of 6/7	\$3,102
Pentecost Offering	\$85
Per Capita 2020 Donations	\$825
Property Fund Giving 2020	\$3,500
Property Fund Goal 2020	\$5,000

Per Capita for 2020 is \$33

Worship Schedule

June 14	Elder Kurt Schuler
June 21	Rev. Tom Dunlap
June 28	Elder George Fraley
July 5	Rev. Tom Dunlap